

## ► Features

- Transports flightcases or other heavy equipment
- 570 x 530 mm dimensions
- Solid & high quality 18 mm plywood
- Casters by **penn-ELCOM**
- 100 mm (4") Swivel bearing casters with rubber tyre
- Two braked and two unbraked casters
- Mounting holes for matching flightcases
- Elliptical handle cutout for easy carriage

## ► Description

The FCB104 is a caster board for transportation of flightcases or other heavy equipment. The construction is made out of solid and high quality plywood with a thickness of 18 mm. Four swivel bearing casters with 100 mm (4") diameter and blue rubber tyre are mounted underneath, two braked and two unbraked.

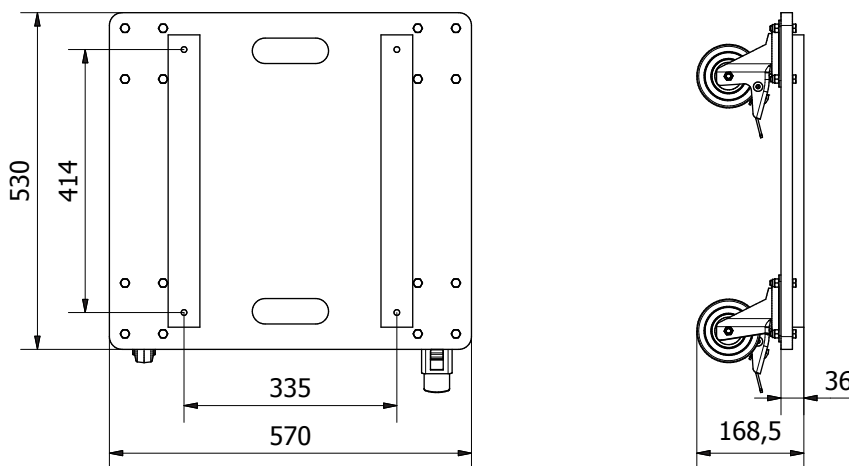
Mounting holes for flightcases are provided, allowing instant and permanent fixation to matching flightcases using the included fasteners. (M8x50mm) Two oval shaped cutouts offer great convenience for movement and carriage of the caster board.

Superior durability is guaranteed through the **Penn-Elcom**® casters.



**penn-ELCOM**®

## ► Technical Drawing



## ► Specifications

PROPERTY	VALUE
Width	530 mm
Length	570 mm
Height	168 mm
Wheel diameter	100 mm (4")
Weight	xxx Kg
Construction	18 mm high-quality plywood
Finishing	Black painting
Wheels	2 x W8990 & 2 x W8990/B